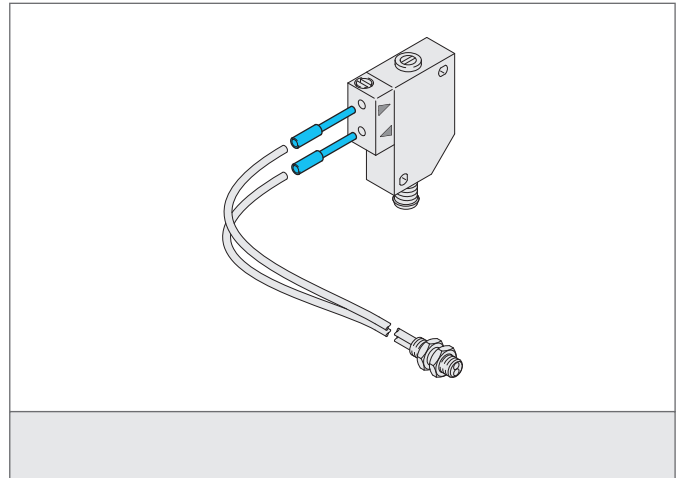


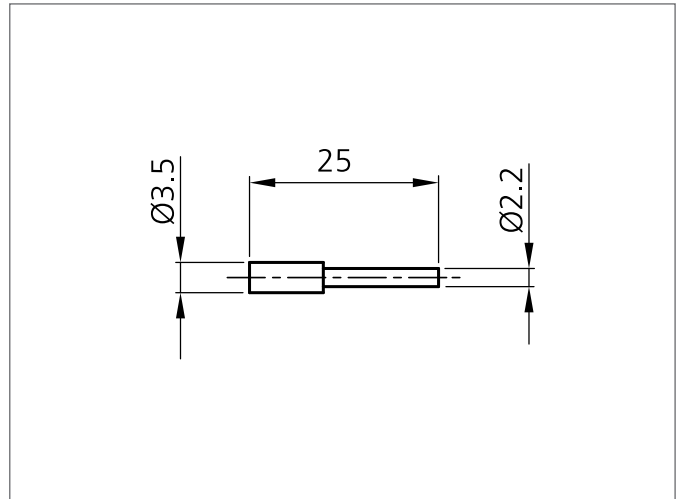
AK 2.2/1 Adapter

- Adapter for Ø 1 mm to Ø 2.2 mm
- Easy-to-install
- Robust design



Safety instructions

The Instruments are not to be used for safety applications, in particular applications in which safety of persons depends on proper operation of the instruments.
These instruments shall exclusively be used by qualified personnel.



TECHNICAL INFORMATION (typ.)		+20°C, 24V DC
Size	25 mm (Length/area)	Ø 3.5 mm / Ø 2.2 mm (Diameter)
Characteristics	robust design	
Ambient temperature	-25 ... +70 °C	
For	Plastic fiber optics Ø 1 mm	
Weight	10 g	
Scope of delivery	Set consists of two pieces	